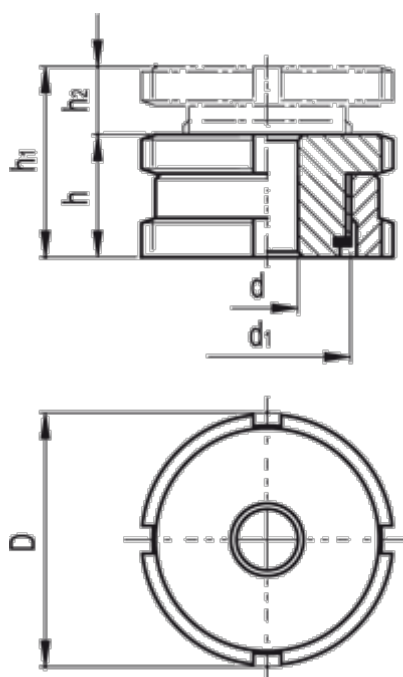


Article number: 20664259C  
Description: E+G Levelling set  
GN 350.1-70-33-ST

## Measures



C-spanner DIN 1810	= A68-75
d	= 33.0
D	= 70
d1	= M50x1.5
For screw	= M30
h	= 33
h1	= 43
h2	= 10

Max static load (N)	= 330.0
Static preload (N)	= 53.0
Weight (g)	= 668